

PNEUMATIC CHAIN HOISTS

STANDARD FEATURES

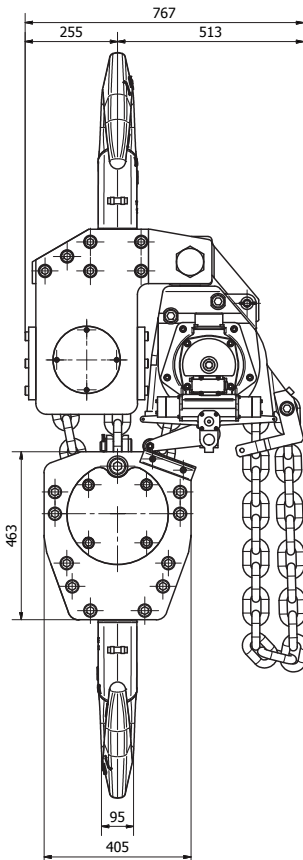
- ▷ High strength cast iron body
- ▷ Toku rotary vane motor
- ▷ Robust epicycle gearbox
- ▷ Failsafe automatic internal disc brake
- ▷ Mechanical upper & lower switches
- ▷ Cast steel housing
- ▷ Internal silencing down to 80 dB(A)
- ▷ Alloy safety swivel hooks with safety catch
- ▷ Load chain 22 x 66mm of European manufacture to EN818-7
- ▷ Automatic, adjustable load limiter

AVAILABLE OPTIONS

- ▷ Marine specification
- ▷ Special paint systems
- ▷ Corrosion protection
- ▷ ATEX specification
- ▷ Chain collectors (galvanised or stainless steel)
- ▷ Air Service units
- ▷ Festoon systems
- ▷ Radio control
- ▷ Main air shut off valve

| MODEL | WLL | LIFTING SPEED WITH LOAD | LIFTING SPEED WITHOUT LOAD | LOWERING SPEED WITH LOAD |
|--------------|-------------------------|--------------------------|----------------------------|--------------------------|
| TNC-37.5TW/3 | 37500 kg | 0.35 m/min | 0.6 m/min | 0.5 m/min |
| | AIR CONSUMPTION LIFTING | AIR CONSUMPTION LOWERING | AIR CONNECTION | MINIMUM HOSE DIA. |
| TNC-37.5TW/3 | 90 l/sec | 100 l/sec | 1" BSP | 1" HOSE |
| | CHAIN FALLS | WORKING PRESSURE | WEIGHT WITH 3M HOL | ADDITIONAL METRE HOL |
| TNC-37.5TW/3 | 3 | 6 bar | 870 kg | 32.7 kg |

C = CORD CONTROL PE = PENDANT



All measurements are in mm
Information subject to change without notice

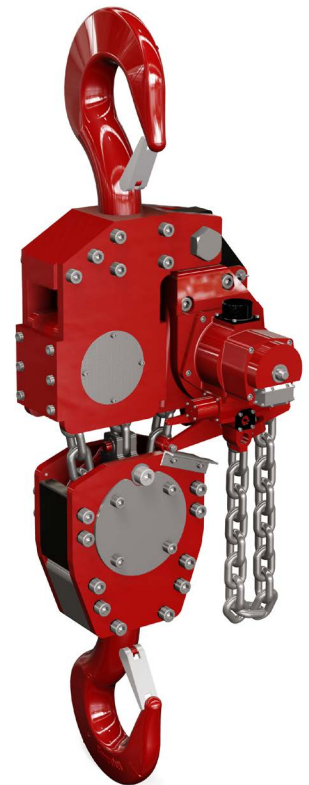
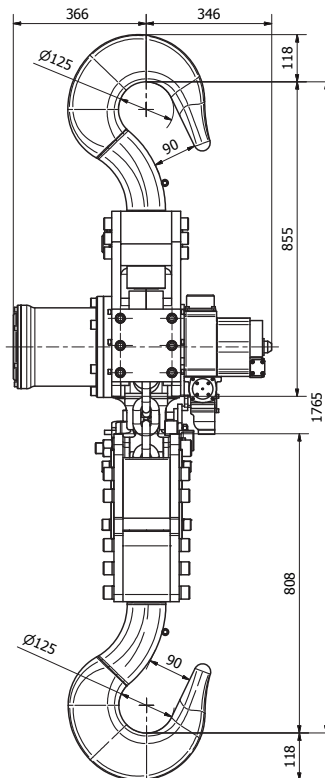


Image for illustration purposes only

TNC-37.5TW/3