

## PNEUMATIC CHAIN HOISTS

### STANDARD FEATURES

- ▷ High strength cast iron body
- ▷ Toku rotary vane motor
- ▷ Robust epicycle gearbox
- ▷ Failsafe automatic internal disc brake
- ▷ Mechanical upper & lower switches
- ▷ Cast steel housing
- ▷ Internal silencing down to 80 dB(A)
- ▷ Alloy safety swivel hooks with safety catch
- ▷ Load chain 16 x 45mm of European manufacture to EN818-7
- ▷ Automatic, adjustable load limiter

### AVAILABLE OPTIONS

- ▷ Marine specification
- ▷ Special paint systems
- ▷ Corrosion protection
- ▷ ATEX specification
- ▷ Chain collectors (galvanised or stainless steel)
- ▷ Air Service units
- ▷ Festoon systems
- ▷ Radio control
- ▷ Main air shut off valve

MODEL	WLL	LIFTING SPEED WITH LOAD	LIFTING SPEED WITHOUT LOAD	LOWERING SPEED WITH LOAD
TNC-20TW/4	20000 kg	0.75 m/min	1.25 m/min	1.15 m/min
	AIR CONSUMPTION LIFTING	AIR CONSUMPTION LOWERING	AIR CONNECTION	MINIMUM HOSE DIA.
TNC-20TW/4	90 l/sec	100 l/sec	1" BSP	1" HOSE
	CHAIN FALLS	WORKING PRESSURE	WEIGHT WITH 3M HOL	ADDITIONAL METRE HOL
TNC-20TW/4	4	6 bar	470 kg	22.8 kg

C = CORD CONTROL PE = PENDANT

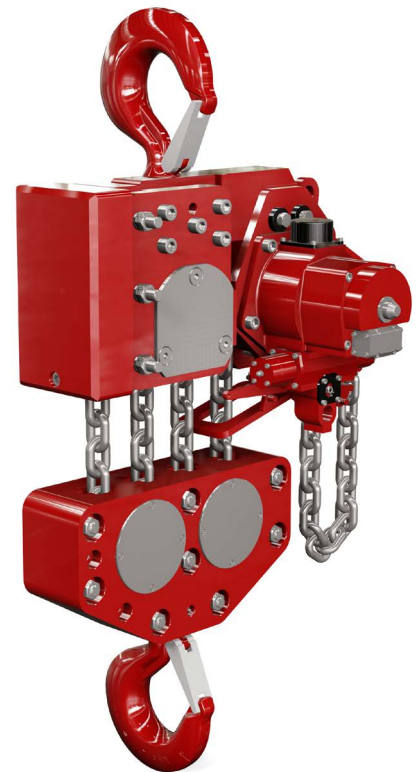
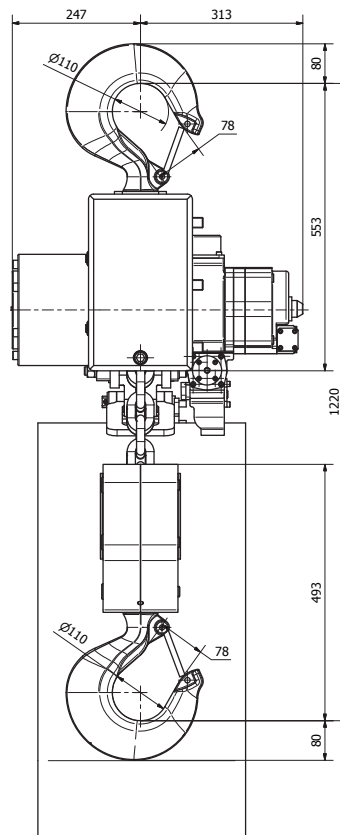
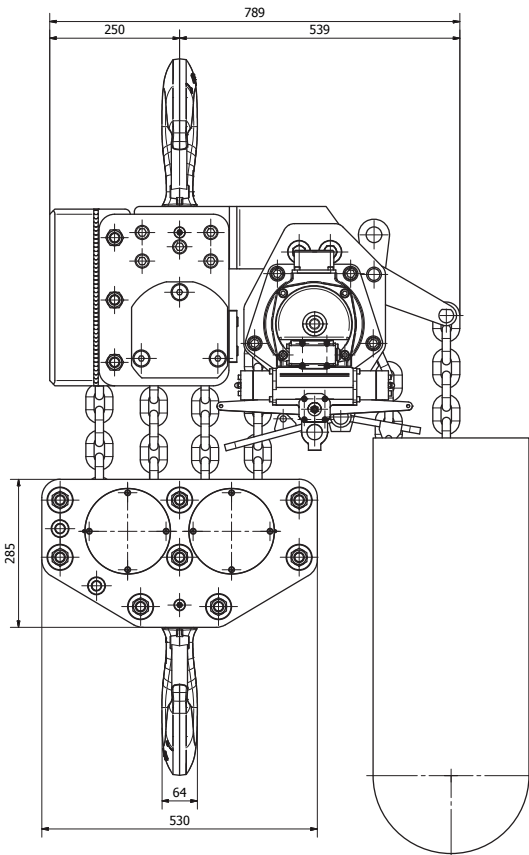


Image for illustration purposes only

All measurements are in mm  
Information subject to change without notice

TNC-20TW/4