

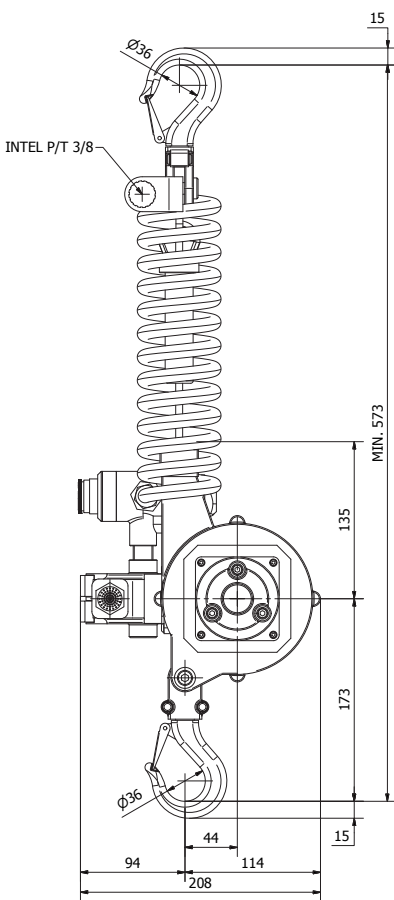
BENCH HANDLING HOIST

STANDARD FEATURES

- ▷ Toku rotary vane motor.
- ▷ Handle mounted pendant for one handed operation
- ▷ Failsafe automatic internal disc brake
- ▷ Variable Speed
- ▷ Self-winding galvanised cable
- ▷ Cast aluminium housing
- ▷ Internal silencing down to 80 dB(A)
- ▷ Alloy safety swivel hooks c/w safety catch

AVAILABLE OPTIONS

- ▷ Special paint systems
- ▷ Air service units
- ▷ Festoon systems
- ▷ Beam trolleys



All measurements are in mm

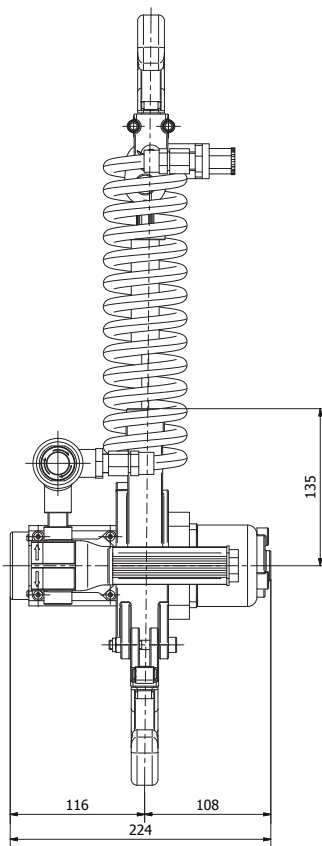


Image for illustration purposes only

MODEL	WLL	LIFTING SPEED WITH LOAD	AIR CONNECTION	MIN HOSE DIA.
	140 kg	11.0 m/min	3/8" BSP	1/2" HOSE
TMM-140A	LIFTING SPEED WITHOUT LOAD		AIR CONSUMPTION LIFTING	
	15.0 m/min		8 l/sec	
	WORKING PRESSURE		FALLS	WEIGHT
6 bar		1 (cable)	9.5 kg	

Information subject to change without notice

Ideal work bench hoist
Lightweight
Portable
Weighs less than 10kg
Max height of 2 metres
Operates at 100% duty cycle

TMM-140A